

# Application Security Audit with System Audit Properties



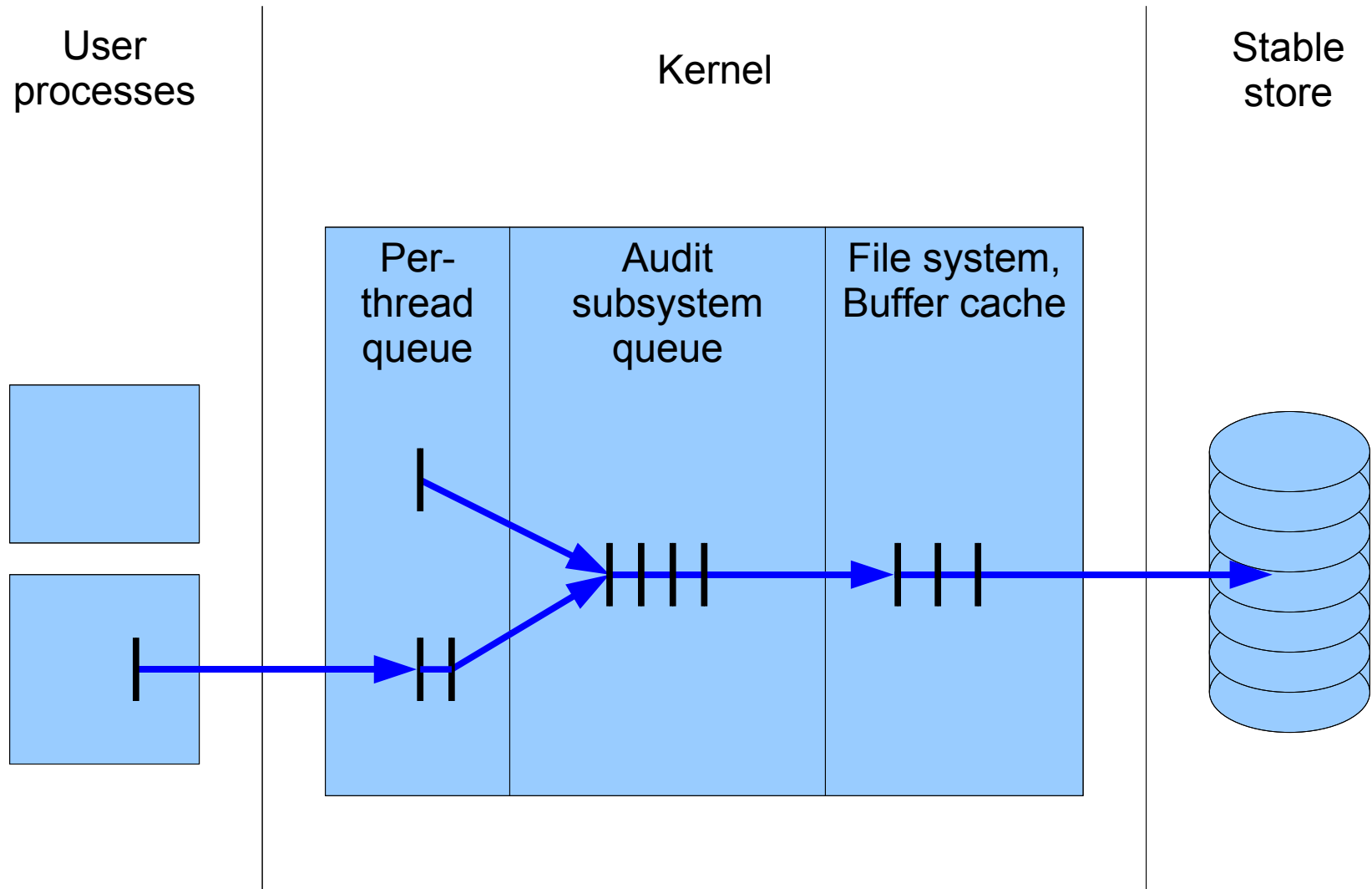
Robert N. M. Watson

Security Research  
Computer Laboratory  
University of Cambridge

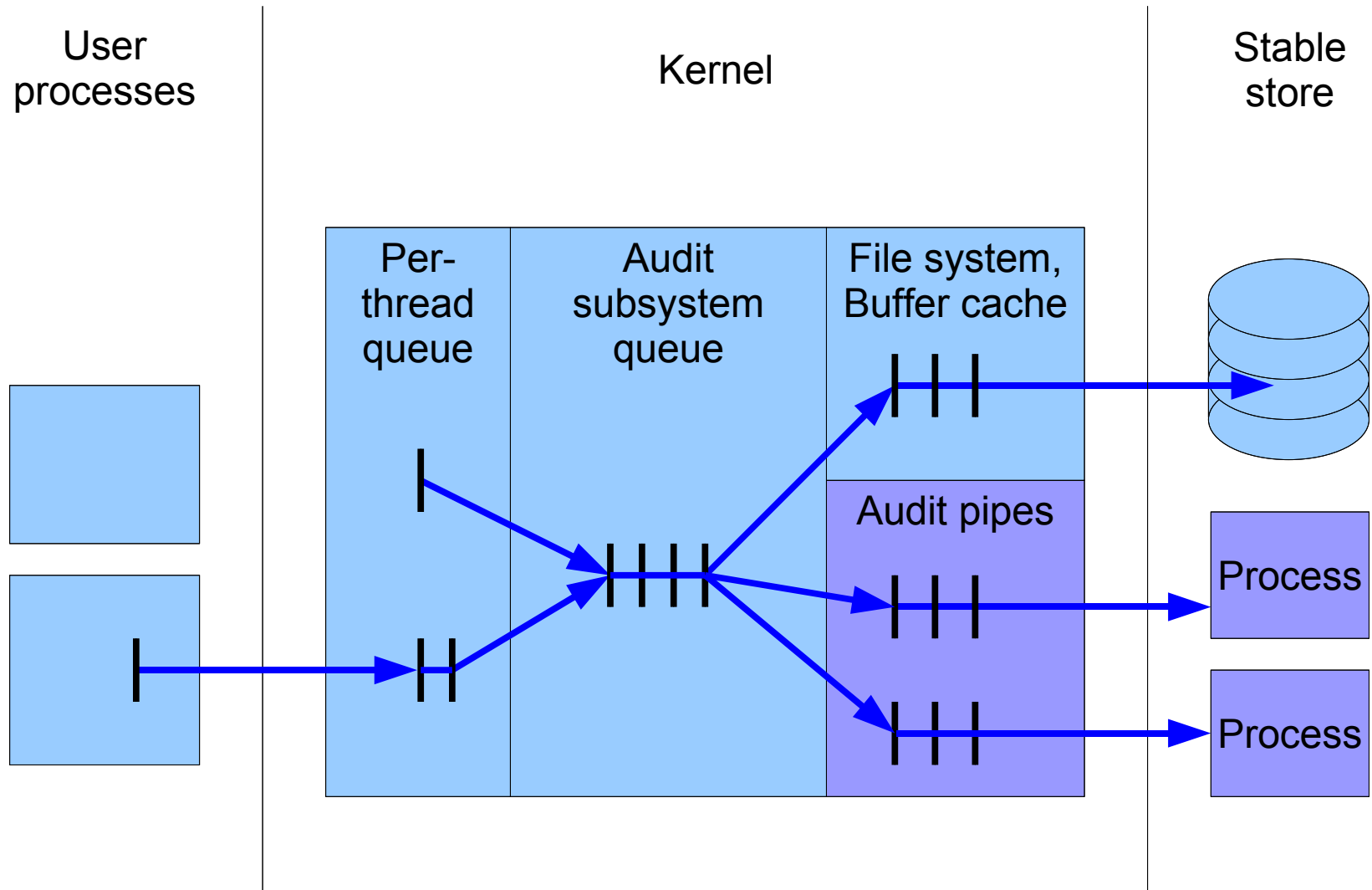
FreeBSD Project

May 19, 2007

# Audit Queuing: Traditional



# Audit Queuing: With Pipes



# Audit Queuing: Per-Application Trails

